



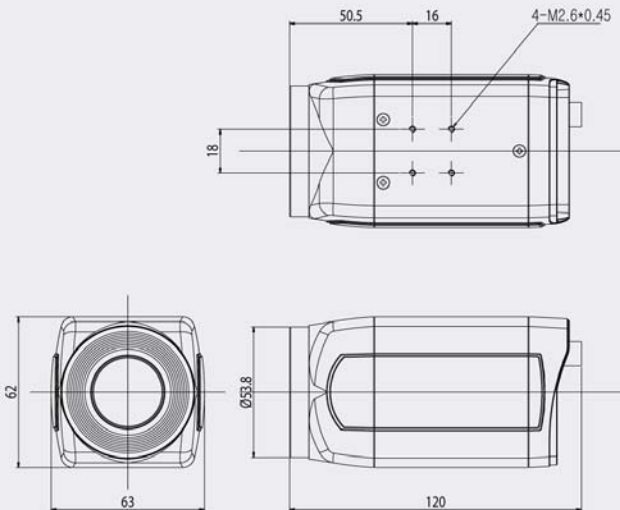
## Features

- 1/4 inch Super HAD CCD
- High Resolution : 480 TV Lines
- Built-in Auto Iris / Auto Focus
- **27x Optical Power Zoom Lens**
- 10x Digital Zoom (Max. 270x), TDN(ICR)
- Digital Slow Shutter (DSS)
- OSD (On Screen Display)
- Video Transmission Distance Adjustable(3 Steps)
- RS-485 Interface(Pelco-D)/PTZ Controller Interface

## REAR VIEW



## DIMENSIONS



## SPECIFICATIONS

Model	A2763NL	A2763PL
Signal System	NTSC	PAL
Scanning Frequency (H)	15.734 KHz	15.625 KHz
Scanning Frequency (V)	59.94 Hz	50 Hz
Scanning System	2:1 Interface	
Image Sensor	1/4 Inch Super HAD CCD	
Total Pixels	811(H) x 508(V) 410K	795(H) x 596(V) 470K
Total / Effective Pixels	768(H) x 494(V) 380K	752(H) x 582(V) 440K
Sync. System	Internal / External (Line Lock) : Auto Detect	
Horizontal Resolution	480 TV Lines	
Signal Output	1.0Vp-p (75Ω, Composite)	
S/N Ratio	More than 48dB (AGC Off)	
Lens	27x Zoom Video AF (f=3.6~97.2mm, F1.6)	
Digital Zoom Ratio	10x Digital Zoom	
Focus Mode	Auto/Manual	
Day&Night Type	Electronic Sensitivity-up (DSS), ICR(AGC type)	
Digital Slow Shutter	Off/2FLD~128FLD Mode	
Min.Illumination	Day Mode: 1.2Lux (30 IRE) / Night Mode: 0.25Lux (30 IRE) / DSS (128FLD) Mode: 0.001Lux (30 IRE)	
OSD	On/Off	
AGC, Flickerless	On/Off	
BLC	Normal,C,L,U,D,R High/Low (6 Area Selectable)	
White Balance	Auto/Push Auto/Outdoor/Indoor/Manual	
Electronic Shutter Speed	1/60 ~ 1/10,000 sec	1/50 ~ 1/10,000 sec
Camera Control	Rear Button, RS485 (Pelco-D)	
Supplied Voltage	DC 12V (9V~15V), Max. 4.68W/390mA	
Dimensions	63 x 62 x 120 mm	
Weight	Approx. 325g	