



CNB-GN780IR/GP780IR

Built-in Vari-focal Lens IR Camera



Features

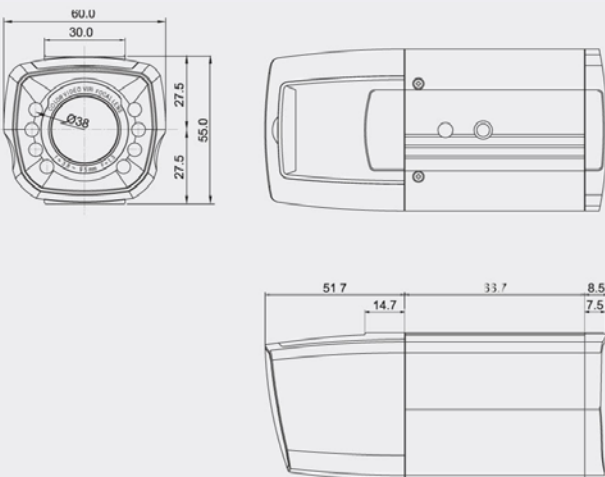
- 1/3 inch Super HAD CCD
- **High Resolution : 550TV Lines**
- **Built-in DC Iris Vari-focal Lens (f=3.8~9.5mm)**
- **Super Digital Noise Reduction (SDNR)**
- **Day&Night (ICR)**
- **Digital Slow Shutter**
- **Auto White Balance**
- **Min. Illumination : 0.00Lux(IR LED On)**
- **AGC, BLC, Flickerless (On/Off)**



REAR VIEW



DIMENSIONS



SPECIFICATIONS

Model	CNB-GN780IR	CNB-GP780IR
Signal System	NTSC	PAL
Scanning System	2:1 Interlace	
Scanning Frequency (H)	15.734 KHz	15.625 KHz
Scanning Frequency (V)	59.94 Hz	50 Hz
Image Sensor	1/3 Inch Super HAD CCD	
Total Pixels	811(H) x 508(V) 410K	795(H) x 596(V) 470K
Total / Effective Pixels	768(H) x 494(V) 380K	752(H) x 582(V) 440K
Horizontal Resolution	550 TV Lines	
Video Output Level	1.0Vp-p (75Ω, Composite)	
S/N Ratio	More than 50dB (AGC Off)	
Lens	Built-in DC Iris Vari-focal Lens (F1.2, f=3.8~9.5mm)	
Day & Night	ICR	
Super Digital Noise Reduction	Auto	
Digital Slow Shutter	Max 32 Times	
Min.Illumination	Day (0.3Lux), Night (0.00Lux,IR LED On)	
Camera Control	Dip Switch	
White Balance	Auto	
AGC/BLC/Flickerless	On/Off (Dip Switch)	
Supply Voltage	DC 12V (DC 9.6V~13.2V)	
Power Consumption	Max. 3W/250mA	
Dimensions (WxHxD)	60.0 x 55.0 x 126.9mm	
Weight	Approx. 390g	