



CNB-GN730/GP730

Built-in Vari-focal Lens Camera



Features

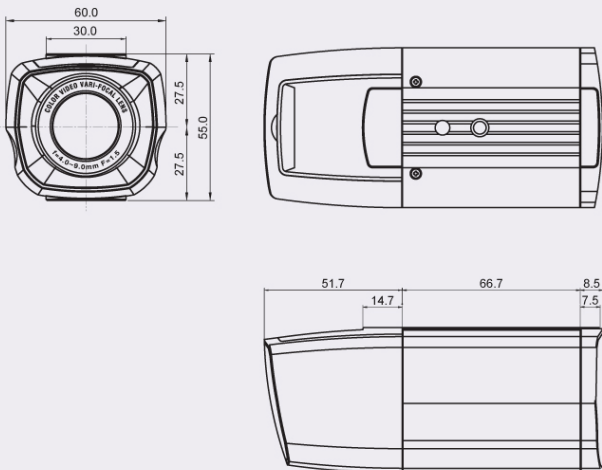
- 1/3 inch Super HAD CCD
- High Resolution : 550TV Lines
- Built-in DC Iris Vari-focal Lens (f=4~9mm)
- Auto White Balance
- AGC, BLC, Flickerless (On/Off)
- Min. Illumination : 0.3 Lux



Rear View



DIMENSIONS



SPECIFICATIONS

Model	CNB-GN730	CNB-GP730
Signal System	NTSC	PAL
Scanning System	2:1 Interlace	
Scanning Frequency (H)	15.734 KHz	15.625 KHz
Scanning Frequency (V)	59.94 Hz	50 Hz
Image Sensor	1/3 Inch Super HAD CCD	
Total Pixels	811(H) x 508(V) 410K	795(H) x 596(V) 470K
Total / Effective Pixels	768(H) x 494(V) 380K	752(H) x 582(V) 440K
Horizontal Resolution	550 TV Lines	
Video Output Level	1.0Vp-p (75Ω, Composite)	
S/N Ratio	More than 48dB (AGC Off)	
Lens	Built-in DC Iris Vari-focal Lens (F1.5, f=4~9mm)	
Min.Illumination	0.3 Lux	
Camera Control	Dip Switch	
White Balance	Auto	
AGC/BLC/Flickerless	On/Off (Dip Switch)	
Supply Voltage	DC9V~15V (Recommendation DC12V±0.5V)	
Power Consumption	Max. 4.2W/350mA	
Dimensions (WxHxD)	60.0 x 55.0 x 126.9mm	
Weight	Approx. 390g	