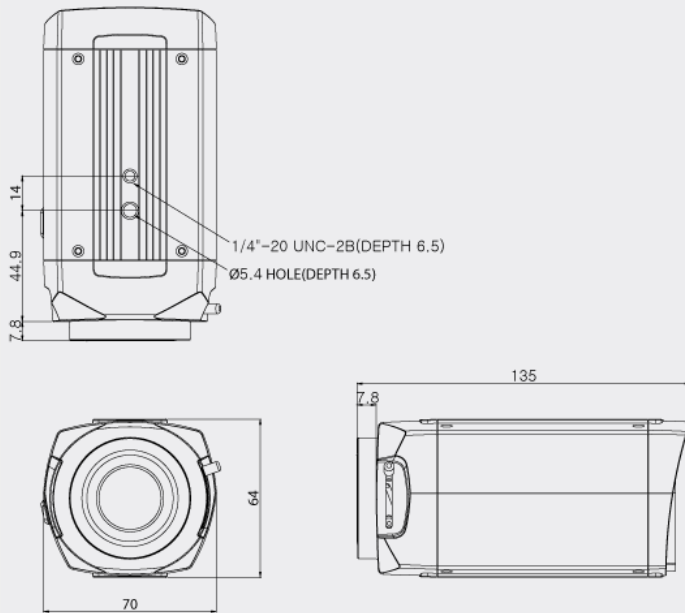




Features

- 1/3" Sony Vertical Double-density Interline CCD
- High Resolution : 560TV Lines
- WDR (Wide Dynamic Range), BLC
- TDN(ICR), OSD
- Min. Illumination : 0.0003Lux (DSS On, B/W)
- Auto White Balance
- 16x Digital Zoom
- AGC(Auto), Flickerless
- Motion Detection , Privacy Zone
- Digital Slow Shutter 2x~160x
- RS-485(Pelco-D) Interface

DIMENSIONS



SPECIFICATIONS

Model	GA4162NF	GA4162PF
Signal System	NTSC	PAL
Scanning System	2:1 Interlace	
Scanning Frequency (H)	15.734 KHz	15.625 KHz
Scanning Frequency (V)	59.94 Hz	50Hz
Sync System	Internal	
Image Sensor	1/3 Inch SONY Vertical double-density interline CCD	
Total Pixels	811(H) x 508(V) 410K	795(H) x 596(V) 470K
Effective Pixels	768(H) x 494(V) 380K	752(H) x 582(V) 440K
Horizontal Resolution	560 TV Lines	
Video Output Level	1.0V p-p (75Ω, Composite)	
S/N Ratio	More than 50dB (AGC Off, BW Mode)	
Lens Mount	C/CS Mount	
Lens Selectable	DC, Video, Manual Lens Support	
Digital Slow Shutter	Off/2x~160x filed	
Day & Night Type	ICR(AGC Type)	
Min. Illumination	0.0003 Lux (DSS On, B/W, F1.4 20IRE)	
WDR (Wide Dynamic Range)	On(0~15 Steps, Max. 60dB) /Off	
OSD	On/Off	
Digital Zoom	16x	
AGC, BLC, Flickerless	Auto/Zone Selectable	
White Balance	Auto	
Motion Detection	4 Zone	
Privacy Zone	On/Off (4 Programmable)	
Shutter Speed	1/60~1/10,000 sec	1/50~1/10,000 sec
Supplied Voltage	12VDC (10V~15V)	
Power Consumption	Max. 3.3W / 270mA	
Dimensions	70(W) x 64(H) x 135(D) mm	
Weight (Net)	Approx. 324g	