

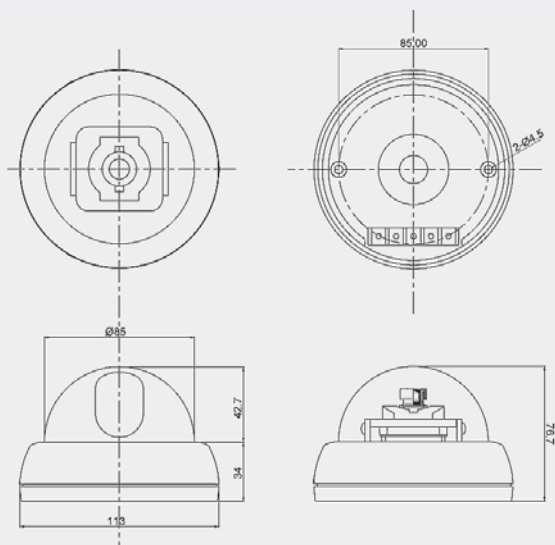


Features

- 1/3 inch Sony Super HAD CCD
- High Resolution : 530TV Line
- Built-in Fixed Lens (f=3.8mm)
- Auto White Balance
- AGC, BLC, Flickerless (On/Off)
- Min. Illumination : 0.3 Lux
- Dome Size : 85mm



DIMENSIONS



SPECIFICATIONS

Model	D1760N	D1760P
Signal System	NTSC	PAL
Scanning System	2:1 Interlace	
Scanning Frequency (H)	15.734 kHz	15.625 kHz
Scanning Frequency (V)	59.94 kHz	50 Hz
Image Sensor	1/3 Inch SONY Super HAD CCD	
Total Pixels No.	811(H) x 508(V) 410K	795(H) x 596(V) 470K
Effective Pixels	768(H) x 494(V) 380K	752(H) x 582(V) 440K
Horizontal Resolution	530 TV Lines	
Video Output	Composite: 1.0V p-p, 75Ω	
S/N Ratio	More than 48dB(AGC Off)	
Lens	Fixed Lens (f=3.8mm)	
Min. Illumination	0.3 Lux	
White Balance	Auto	
AGC/BLC/Flickerless	On/Off (DIP Switch)	
Shutter Speed	1/60~1/100,000 sec.	1/50~1/100,000 sec.
Supplied Voltage	DC 9V~15V (Recommendation DC±0.5V)	
Power Consumption	Max. 1.8W/150mA	
Dimensions(ØxH)	85 x 76.7 mm	
Weight	Approx. 210g	