

# CCTV Camera

## HV-DVI20 Series

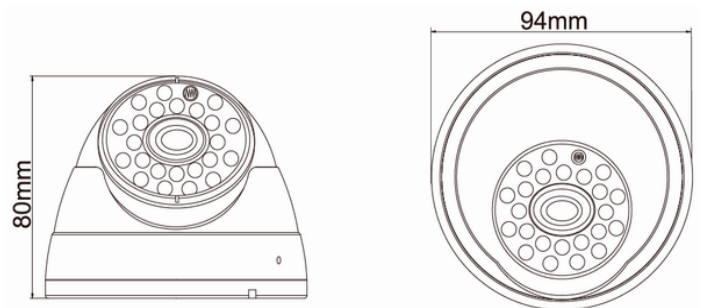


### Features

- ◆ Vandalproof IR Dome Camera
- ◆ SONY / SHARP Color CCD
- ◆ 24 pcs  $\varnothing$  5mm IR-LED, IR Range 20M
- ◆ Built-in 3.6 mm Board Lens



### Size Chart



### Specifications

Model Name	HV-DVI20-38
Image Device	1/3 SONY
Resolution	540 TVL
Picture Elements	PAL:795(H) $\times$ 596(V) PAL:752(H) $\times$ 582(V); NTSC:811(H) $\times$ 508(V) NTSC:768(H) $\times$ 494(V)
Min. Illumination	0.2 Lux /F2.0
TV System	PAL/NTSC
Lens Furnished	3.6 mm Board Lens (Optional 4mm or 6mm Board Lens)
Infrared Luminary	24 pieces $\varnothing$ 5 mm IR-LED
Illuminate Distance	20 M
Wavelength	850 nm
Waterproofing Criterion	IP 66
S/N Ratio	More than 48dB
Electronic Shutter	NTSC:1/60~1/100,000, PAL:1/50~1/110,000
Gamma	0.45
White Balance	Auto
Gain Control	Auto
Sync. System	Internal
Video Output	1 Vp-p / 75 Ohms
Power Supply	DC12V $\pm$ 10%
Operation Temperature	-10 $^{\circ}$ C ~ +50 $^{\circ}$ C RH95% Max
Dimension	$\varnothing$ 94 x 80 mm
Weight	450g

*Design and specifications are subject to change without notice.*